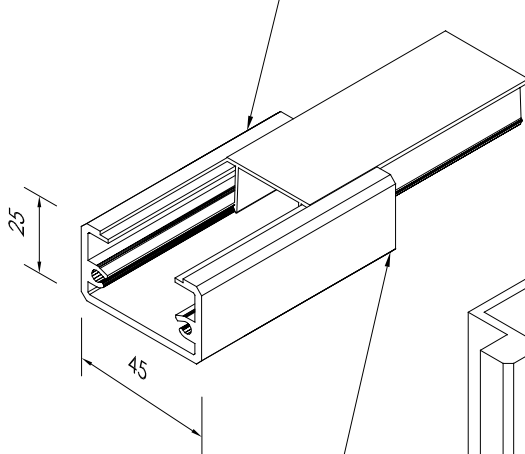


TYPICAL DETAIL

HEADRAIL AND SNAP-IN INSERT  
FULLY EXTENDED NATURAL  
ANODISED ALUMINIUM.

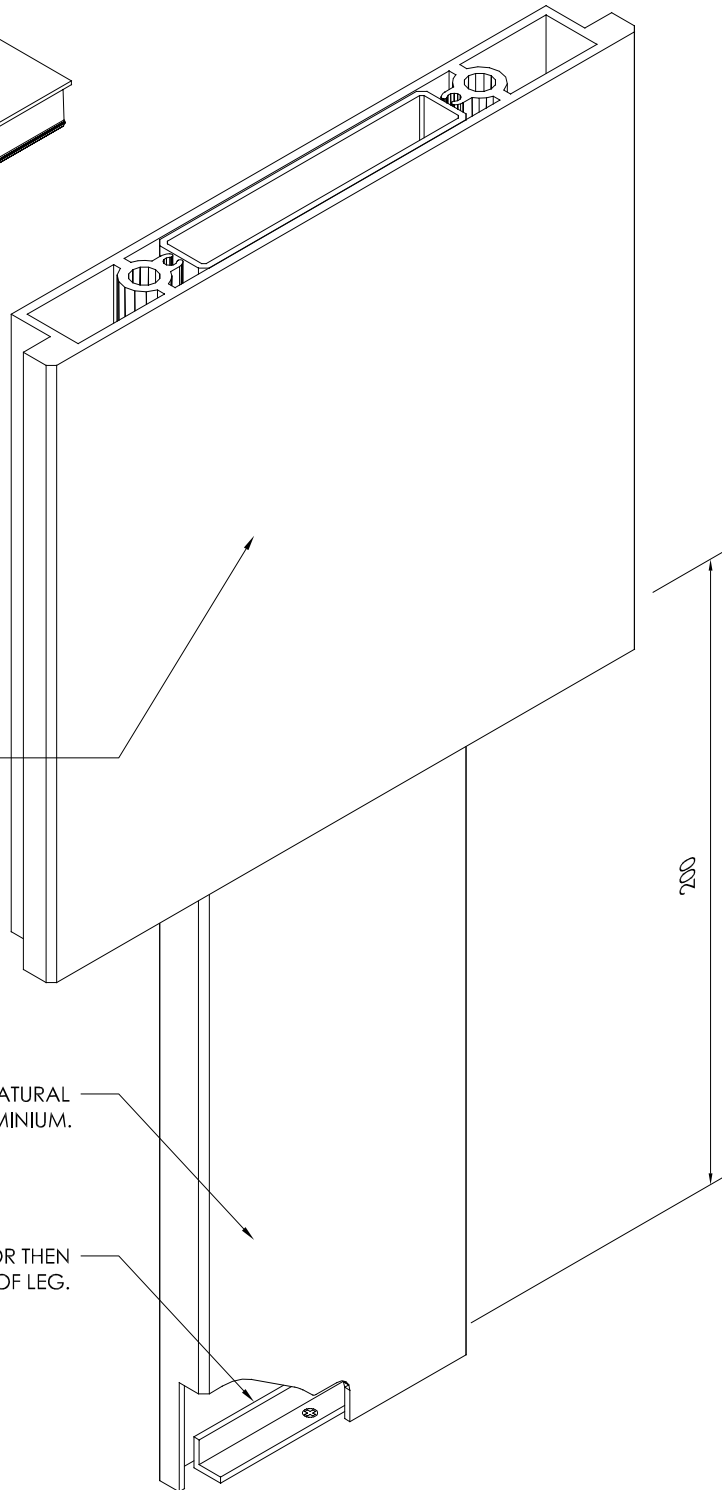


DRILL HOLES AND SECURE WITH M8  
EXPANDING ANCHORS.

FRONTAL - FULLY EXTRUDED NATURAL  
ANODISED ALUMINIUM.  
220mm WIDE.

LEG - FULLY EXTRUDED NATURAL  
ANODISED ALUMINIUM.

LOWER ANGLE SCREWED TO FLOOR THEN  
POP RIVETED THROUGH BACK OF LEG.



Notes:

- All specifications on this supporting drawing are subject to change without notice.
- Illustrations on this drawing are not necessary to specification.
- All technical details remains the property of Kyissa.
- Detail shown as a guide only - Not to scale.

Contact us at:  
Phone # 613 9330 3733  
Fax # 613 9338 9015  
Web site: www.kyissa.com.au  
Email: sales@kyissa.com.au

**KYISSA**

SQUARE FLO-LINE® - TYPICAL DETAIL OF  
FRONTAL WITH LEG SECTION AND FIXING  
OF DIVISION TO FRONTAL AND WALL.

DRAWN BY : FM

A4

1

APPROVED BY DATE - SEPT 2011

1 : 2

DESIGNED BY - KYISSA

THREE