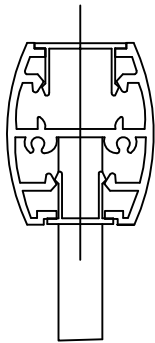
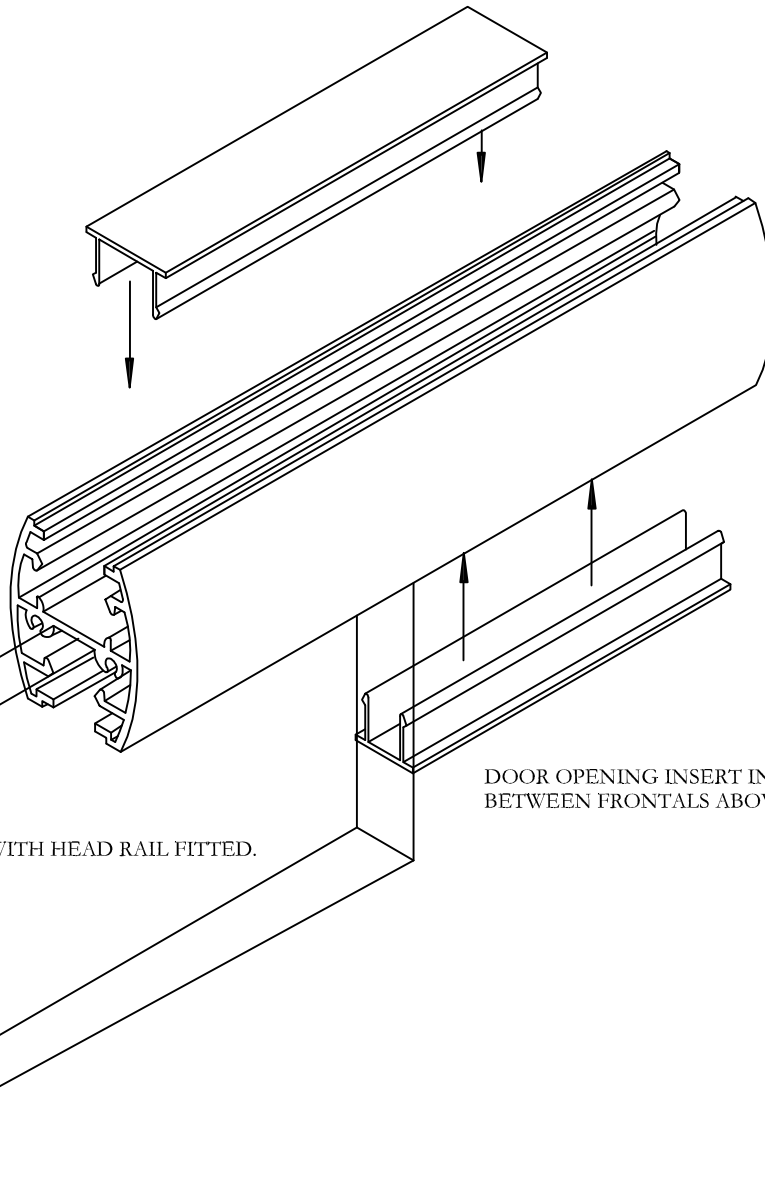


TYPICAL DETAIL

TOP INSERT SNAPPED INTO HEAD RAIL FOR LENGTH OF INSTALLATION.



ELEVATION OF HEADRAIL WITH BOTH INSERTS FITTED.



FRONTAL WITH HEAD RAIL FITTED.

DOOR OPENING INSERT INSTALLED BETWEEN FRONTS ABOVE DOORS.

Notes:

- All specifications on this supporting drawing are subject to change without notice.
- Illustrations on this drawing are not necessary to specification.
- All technical details remains the property of Kyissa.

Contact us at:
 Phone # 613 9330 3733
 Fax # 613 9338 9015
 Web site: www.kyissa.com.au
 Email: sales@kyissa.com.au

KYISSA - K1 SYSTEM

13 mm, TRESPA

DRAWN BY A. COX

A4

PROJECT - QUEEN VICTORIA
 CENTRE - MELBOURNE

1

APPROVED BY DATE - MAY 2002

1 : 2

DESIGNED BY - KYISSA

TWO