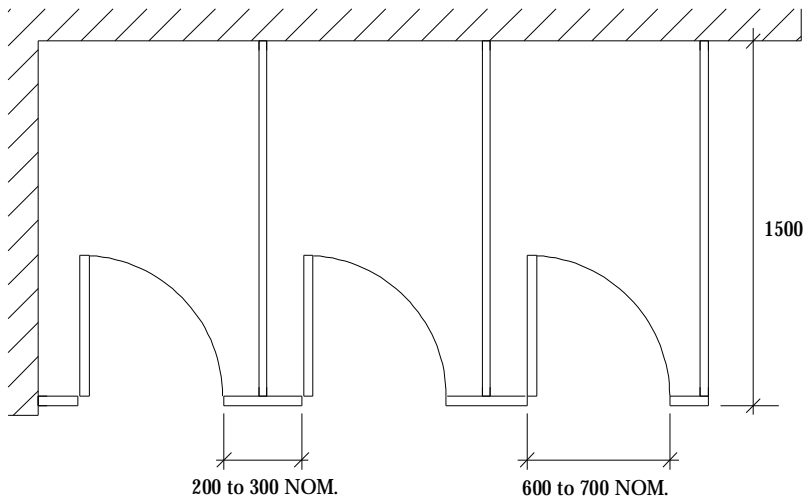
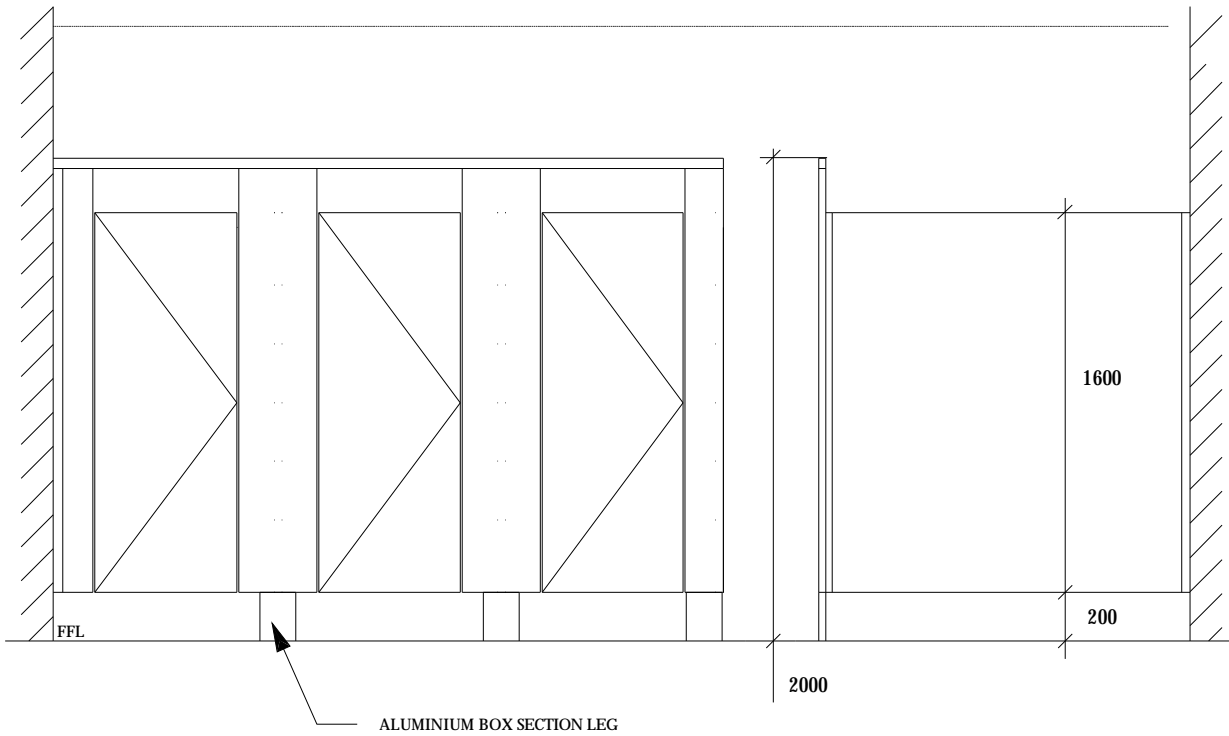


FLOOR MOUNTED - OVERHEAD BRACED SYSTEM



ALL DIMENSIONS - mm.

Notes:

- All specifications on this supporting drawing are subject to change without notice.
- Illustrations on this drawing are not necessary to specification.
- All technical details remains the property of Kyissa.

Contact us at:
 Phone # 613 9330 3733
 Fax # 613 9338 9015
 Web site: www.kyissa.com.au
 Email: sales@kyissa.com.au

KYISSA - SYSTEM K1A

DRAWN BY A. COX

A4

1

APPROVED BY DATE - MAY 2002

1 : 30

DESIGNED BY - KYISSA

ONE